

KENDRION

INTORQ

POWERED BY KENDRION



KENDRION SOLUTIONS

INTORQ BFK471

IP66 spring-applied brake
with manual release

PRECISION. SAFETY. MOTION.

Our brakes – perfect for your safe application

KENDRION Industrial Brakes – stands for smart innovation and excellent service, which we consistently apply for the benefit of our customers:

Strong know-how

Our specialists develop the leading-edge permanent magnet and spring-applied brakes. With INTORQ as a new member of KENDRION, we have once again consistently expanded our range of spring-applied brakes and clutches for you. This way, we can find the right solution for any of your requirements.



Complete product portfolio

Electromagnetic brakes and clutches as well as perfectly matched accessories: with us you will find an exceptionally large selection of quickly available off-the-shelf products that can be put together in a modular system and the best expertise for customer-specific solutions.

Dynamic innovative power

More than 50 specialists working in agile teams in our research and development worldwide are creating convincing product solutions for tomorrow.

Excellent market knowledge

We are very familiar with our focus markets - thanks to extensive experience and research, but also thanks to long-term customer relationships built on partnership and eye-to-eye cooperation.

International power

Committed and competent employees, production sites in Germany, America, India and China as well as a large number of certified sales partners all over the world make us a strong partner for you!

The INTORQ BFK471

Large, sealed single and double rotor brakes with high braking torques

The BFK471 is the proper brake to use for demanding exposed outdoor usage and harbor applications.

The galvanized surfaces and IP66 sealing ensure reliable protection for the brake. The drive is painted so that it can be used in the most difficult environments with high corrosion protection requirements. This meets the requirements of recycling facilities and travel drives used for cranes that need high braking energy and braking torques.

Inductive, wear-free sensor

The non-contact sensor is wear-free and monitors the brake reliably throughout its entire service life.

Can be painted

The well-designed mechanical construction (without undercuts) enables it to be easily and safely painted, integrated into your application.

Lockable hand-release

The sealed hand-release can be locked using a spring-loaded pin. This enables it to be held open even when the power is off.

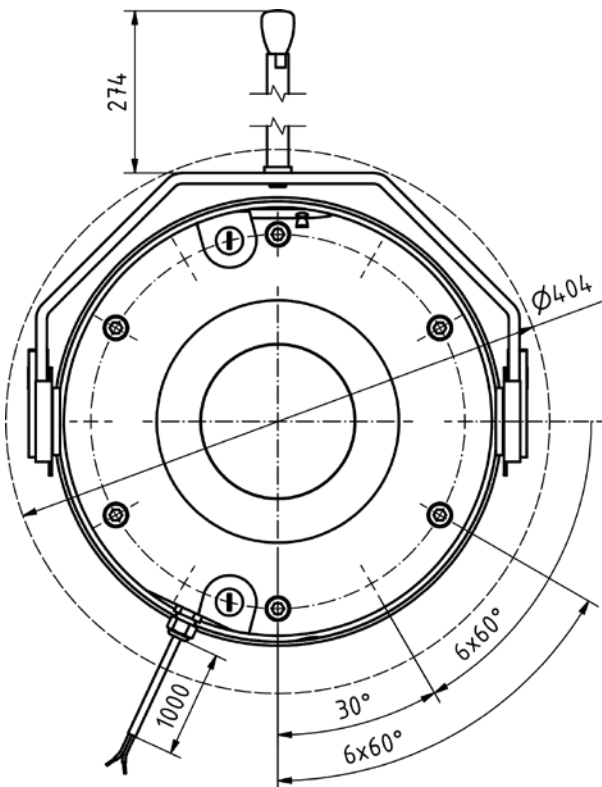


Technical highlights

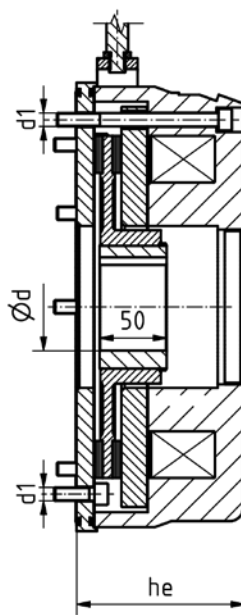
- Fail-safe spring-applied brake
- Protection class corresponding to IP66, also with hand-release
- Energy-saving control via bridge / half-wave rectifier
- Easy to check the air gap in the brake using the check holes in the housing

Dimensions

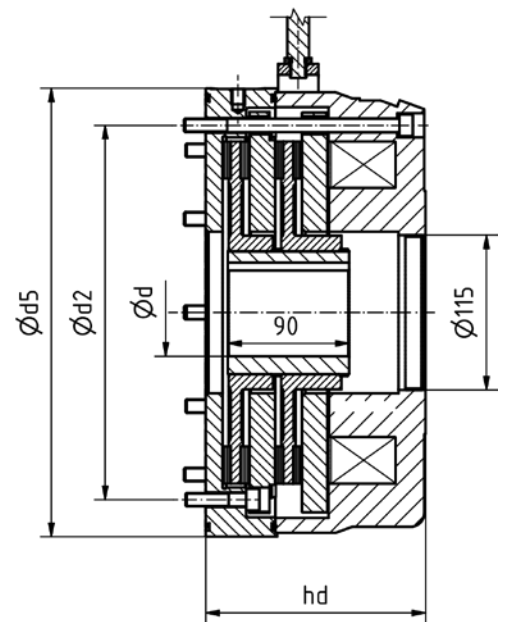
Brake size	25 (single rotor)	25 (double rotor)
Height h_e h_d [mm]	124	164
Power P [W]	Release 440/Hold 110	
Torque T nom [Nm]	750	1500
Hub d [mm]	60/65	
Outer diameter d_5 [mm]	333	
Bolt hole circle d_2 [mm]	278	
Bolting/screws d_1	12xM10	



Single rotor



Double rotor



Customized solutions – tailored exactly to your needs

Automation solutions have become an indispensable part of industry and everyday life. In this context, it is often the brakes that ensure safety: They hold loads and brake reliably in an emergency.

Just as automation continues to evolve, brakes must also face higher demands - forward-looking products are in demand. At the same time, quality and safety must be unconditionally guaranteed. This is a challenge that Kendrion Industrial Brakes meets with passion and care.



When it comes to developing customer-specific solutions, we have three aces up our sleeves:

- With our **new agile organization**, we respond much faster to customer requests.
- Our **modularly developed products** enable new configurations without complete redevelopment.
- The **global structure of our organization** bundles competencies and ensures valuable knowledge transfer.

This makes us a competent and reliable partner for our customers – starting with industry-savvy consulting, through product development with practical experience, to uncompromising quality assurance.



We will find the
solution that suits
you best!



KENDRION

Kendrion INTORQ GmbH

Wülmser Weg 5
31855 Aerzen
Germany

T +49 5154 70534-222
sales-aerzen-ib@kendrion.com

INTORQ US INC.

106 Northpoint Parkway
Acworth, GA30102
USA

T +1 678 236 0555
F +1 678 309 1157
info-atlanta-ib@kendrion.com

Kendrion (China) Co., Ltd.

No.10 Huipu Road,
Suzhou Industrial Park
Suzhou City
Jiangsu Province
China

T +86 21 20363 810
F +86 21 20363 805
sales-china@kendrion.com

INTORQ India Pvt. Ltd.

Plot No E-2/7
Chakan Industrial Area, Phase 3
Kharabwadi, Taluka – Khed
Pune, 410501, Maharashtra
India

T +91 21 3562 5500
info-pune-ib@kendrion.com

www.kendrion.com

© KENDRION 21.06.2023

PRECISION. SAFETY. MOTION.